

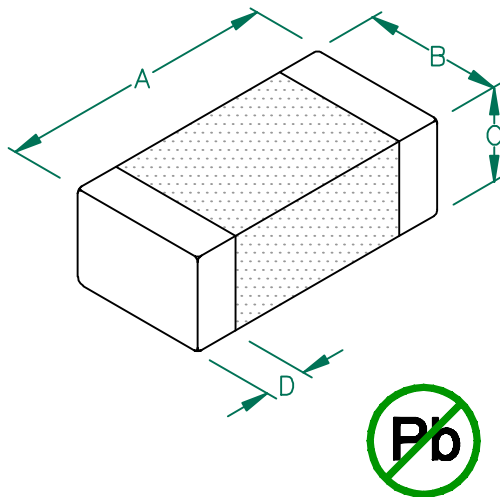
PHYSICAL DIMENSIONS:

A	3.20 [.126]	+ 0.20 [.008]
B	1.60 [.063]	+ 0.20 [.008]
C	1.10 [.043]	+ 0.20 [.008]
D	0.51 [.020]	+ 0.25 [.010]

LI1206H151R-10

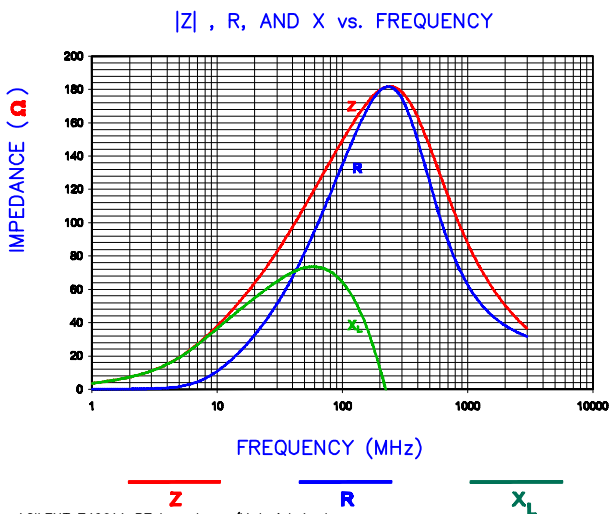
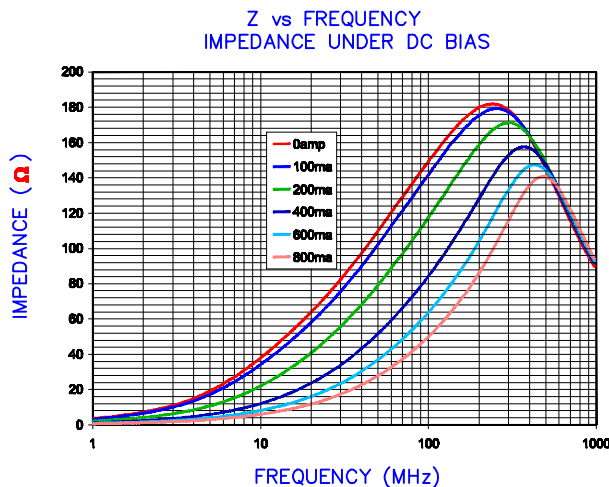
UNCONTROLLED DOCUMENT

ELECTRICAL CHARACTERISTICS:		
Z @ 100MHz (Ω)	DCR (Ω)	Rated Current
Nominal	150	
Minimum	113	
Maximum	188	800 mA

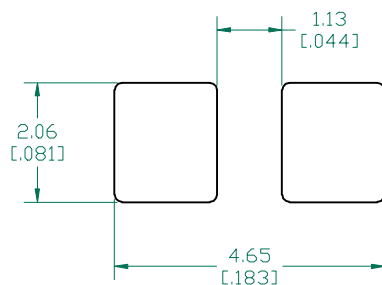


NOTES: UNLESS OTHERWISE SPECIFIED

1. TAPED AND REELED per CURRENT EIA SPECIFICATIONS 7" REELS, 3000 PCS/REEL.
2. TERMINATION FINISH IS 100% TIN.
3. COMPONENTS SHOULD BE ADEQUATELY PREHEATED BEFORE SOLDERING.

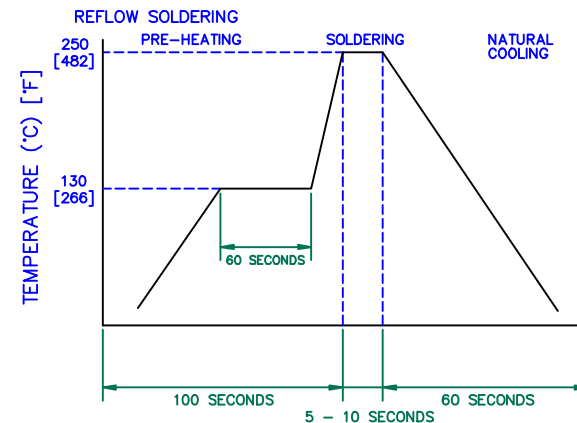


LAND PATTERNS FOR REFLOW SOLDERING



(For wave soldering, add 0.762 (.030) to this dimension)

RECOMMENDED SOLDERING CONDITIONS



DIMENSIONS ARE IN mm [INCHES].		This print is the property of Laird Tech. and is loaned in confidence subject to return upon request and with the understanding that no copies shall be made without the written consent of Laird Tech. All rights to design or invention are reserved.		Laird TECHNOLOGIES	
PROJECT/PART NUMBER:		REV	PART TYPE:	DRAWN BY:	
LI1206H151R-10		C	CO-FIRE	TMB	
C	UPDATE COMPANY LOGO	07/22/08	JRK	DATE:	04/05/04
B	CORRECT REF # FROM 3289 TO 3298	07/22/05	JRK	SCALE:	NTS
A	ORIGINAL DRAFT	04/05/04	TMB	CAD #	LI1206H151R-10-C
REV	DESCRIPTION	DATE	INT	TOOL #	-
				SHEET:	2 of 2

